

# BERT | FRANK

## TRIARC PENDANT LAMP

### Specification Sheet

#### Description:

With three intersecting brass discs hung from a single drop rod, the Pendant makes a dramatic impression. Grouped together with two or more Triarc Pendants it creates a sculptural Chandelier as a focal point.

#### Lamps:

- 9 x 4W G9 LED
- Ensure dimmable LED is used if this functionality is needed

#### Voltage:

- UK/EU - 230V
- US - 110V

#### Metal Finish:

- Brass lacquered as standard

#### Diffuser Finish:

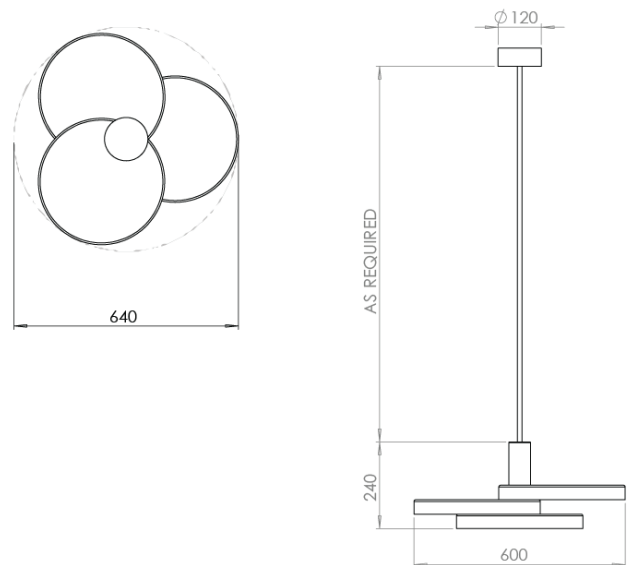
- Opal or Black Glass

#### Weight:

- 25 kg

#### Drop rod:

- Drop rod is supplied to desired length

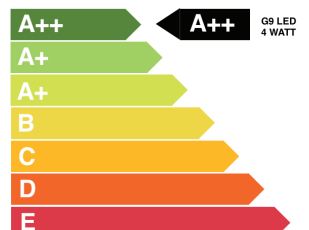


BERT | FRANK

TRIARC  
Pendant



This luminaire is compatible with bulbs of the energy classes:



874/2012

