

BERT | FRANK

TRAVE WALL LIGHT

Specification Sheet

Description:

The combination of the flush fitting opal glass shade of the Trave Wall Light and centric disc of marble make this a striking light, that by contrast offers a source of soft and welcoming warmth and ambience.

Lamps:

- 2 x 4W G9 LED
- Ensure dimmable LED is used if this functionality is needed

Voltage:

- UK/EU - 230V
- US - 110V

Finish Options:

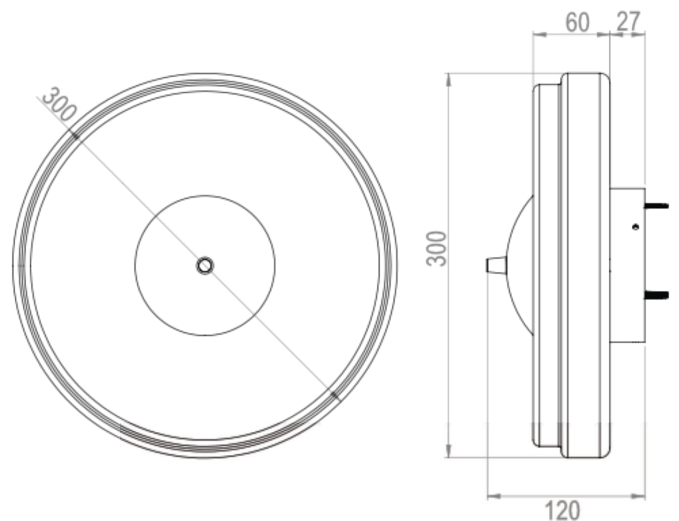
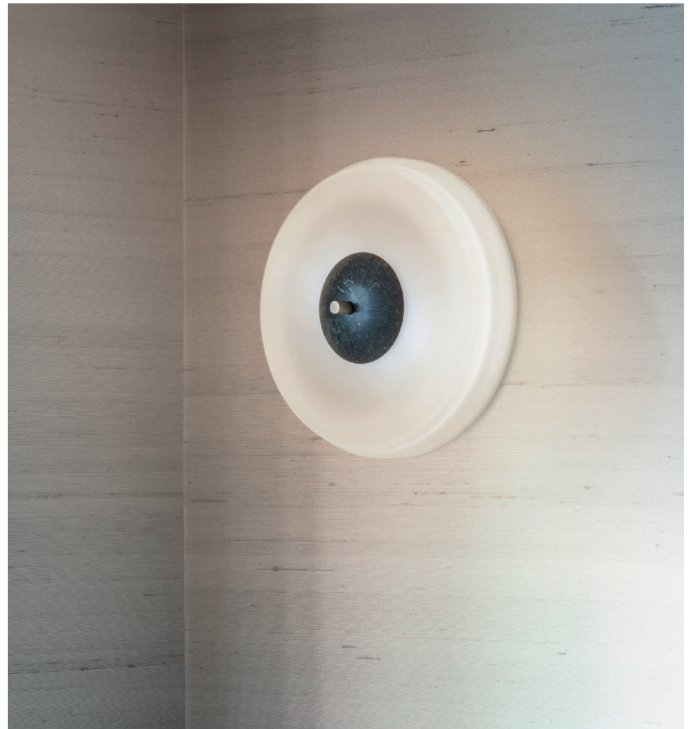
- Brass lacquered as standard
- Carrara or Guatemala marble highlights

Glass Finish:

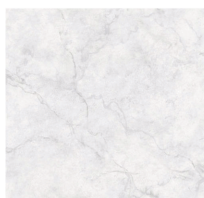
- Opal

Weight:

- 2.6 kg




Guatemala marble



Carrara marble



BERT | FRANK TRAVE TABLE LAMP, WALL LIGHT & PENDANT

 This luminaire is compatible with bulbs of the energy classes:

G9 LED

A++ **A++**

A+
A+
B
C
D
E

874/2012 