

BERT | FRANK

STASIS TABLE LAMP

Specification Sheet

Description:

With its copper shade and linear brass arm, the Stasis Table Lamp makes a bold statement. The solid brass base features a copper insert for an unexpected twist. The angle of both the arm and shade can be adjusted.

Lamps:

- 1 x 4W G9 LED

Voltage:

- UK/EU - 230V
- US - 110V

Metal Finish Options:

- Brass & Satin Copper
- Brass & Polished Copper
- Brass & Bronze
- Brass and Copper lacquered as standard

Weight:

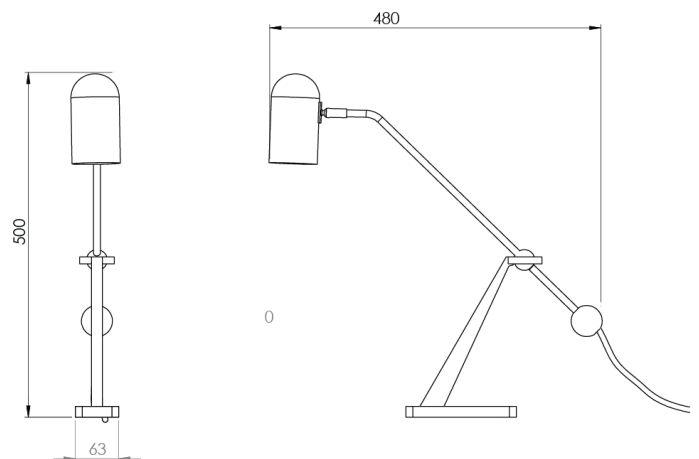
- 3.3 kg

Flex:

- Supplied with 2m fabric covered flex as standard
- Longer flex available on request

Switch:

- Toggle switch on shade

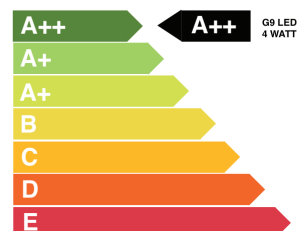


BERT | FRANK

STASIS
Wall Light / Table Light



This luminaire is compatible with bulbs of the energy classes:



874/2012

