

BERT | FRANK

SHEAR FLOOR LAMP

Specification Sheet

Description:

Practical yet striking, the twin arms of the Shear Floor Lamp can be easily rotated, tilted and extended so the adjustable shade can be positioned exactly where light is required.

Lamps:

- 2 x 4W G9 LED

Voltage:

- UK/EU - 230V

- US - 110V

Metal Finish Options:

- Brass and Chrome

- Brass lacquered as standard

Colour Finish:

- Black or White

Weight:

- 13.9 kg

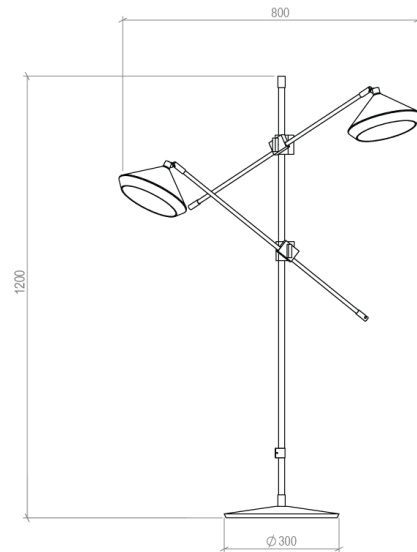
Flex:

- Supplied with 2m fabric covered flex as standard

- Longer flex available on request

Switch:

- Inline foot switch in flex

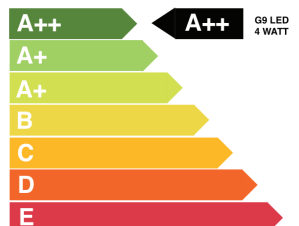


BERT | FRANK

SHEAR
Pendant / Table Light /
Wall Light / Floor Light



This luminaire is compatible with bulbs of the energy classes:



874/2012

