

BERT | FRANK

RIDDLE TABLE LAMP - DOUBLE

Specification Sheet

Description:

Two articulated shades with fabric inserts make the Riddle Table Lamp the ideal light for a desk or side table. Both arms rotate to 270 degrees while a toggle switch at the base lends functional ease.

Lamps:

- 2 x 4W G9 LED

Voltage:

- UK/EU - 230V
- US - 110V

Metal Finish Options:

- Brass and Chrome
- Brass lacquered as standard

Colour Finish:

- Black or White

Weight:

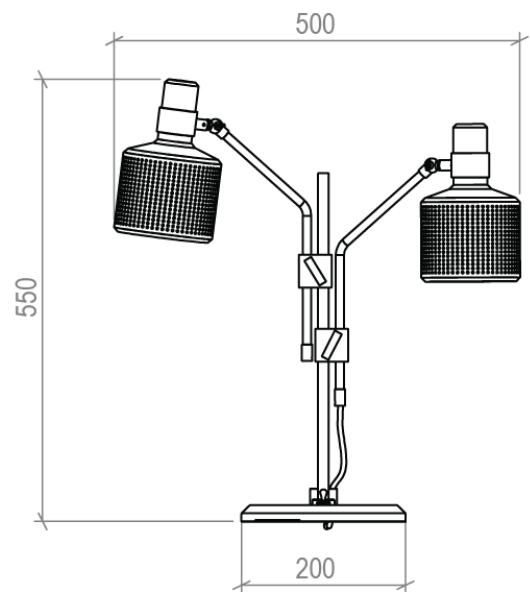
- 8 kg

Flex:

- Supplied with 2m fabric covered flex as standard
- Longer flex available on request

Switch:

- Toggle switch on base



CE

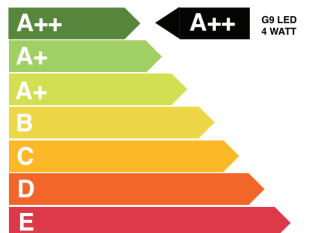


BERT | FRANK

RIDDLE
Floor Light - Double &
Single / Wall Light -
Double & Single / Pendant
/ Table Light



This luminaire is compatible with bulbs of the energy classes:



G9 LED
4 WATT

874/2012

