

# BERT | FRANK

## LIZAK PENDANT

### Specification Sheet

#### Description:

With an alluring aeriform look, the Lizak pendant features two glass shades suspended on a linear brass arm. Two opal glass globes fixed to a second brass arm create an elegant counterpoint.

#### Lamps:

- 2 x G9 LED bulb
- 2 x E27 LED bulb (UK/EU) LED filament or 2 x E26 LED bulb (USA) LED filament (squirrel caged shape recommended)
- Ensure dimmable LED is used if this functionality is needed

#### Voltage:

- UK/EU - 230V
- US - 110V

#### Metal Finish:

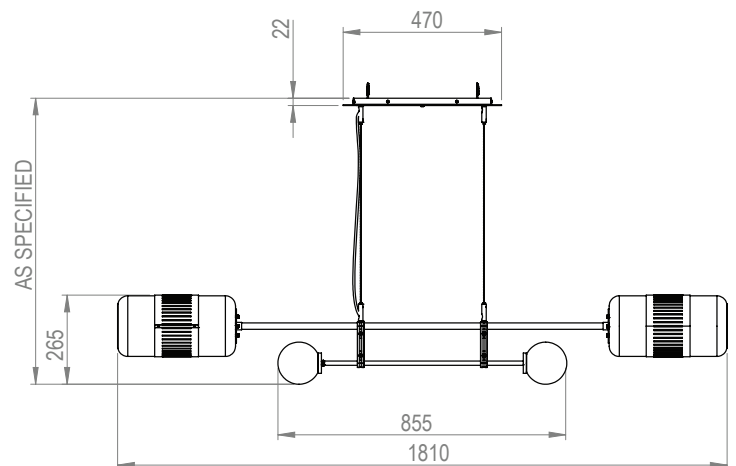
- Brass & Smoked Glass
- Brass & Peacock Blue Glass
- Brass lacquered as standard

#### Weight:

- 14 kg

#### Suspension Options:

- Brass drop rods – made to desired length.
- Steel support cables – 2m adjustable on site.

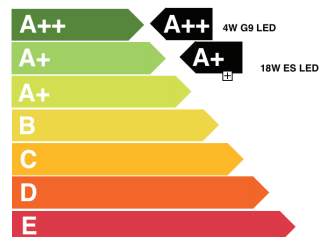


BERT | FRANK

LIZAK  
PENDANT,  
DROP PENDANT,  
FLOOR



This luminaire is compatible with bulbs of the energy classes:



874/2012

